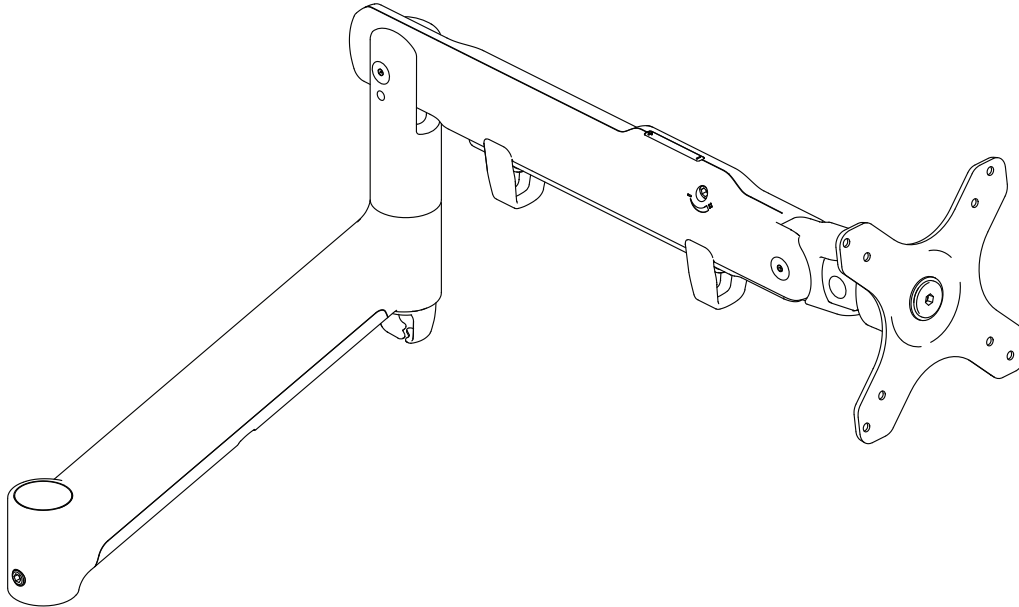
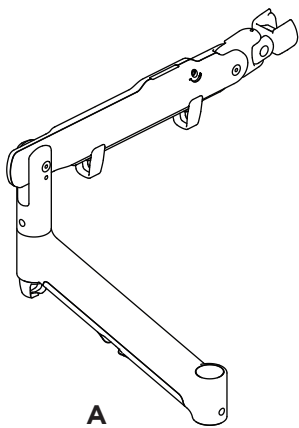


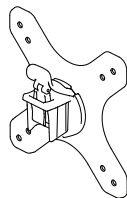
Dynamic Arm



COMPONENT CHECKLIST



A
Dynamic
Monitor Arm
(x1)



B
VESA
head
(x1)



C
Screw
M4x25mm
(x4)



D
Screw
M4x16mm
(x4)



E
Screw
M4x12mm
(x4)



F
Spacer
(x4)



G
Security
screw
(x1)



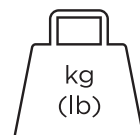
H
4mm
allen key
(x1)

Desk 

REQUIRED TOOLS

- Phillips Head Screwdriver

WEIGHT RANGE



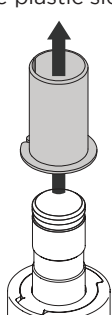
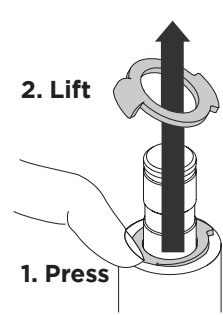
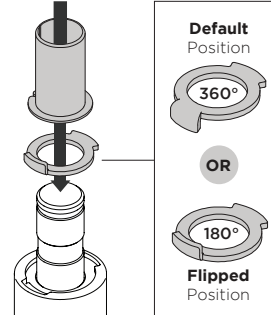
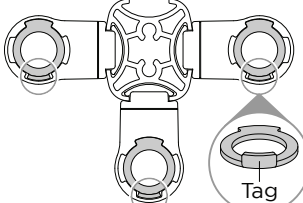
kg
(lb)

0 - 9kg
(0 - 20lbs)

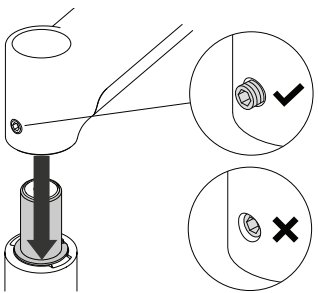
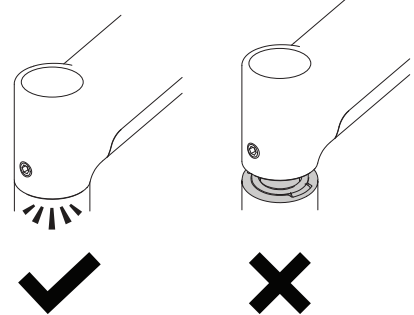
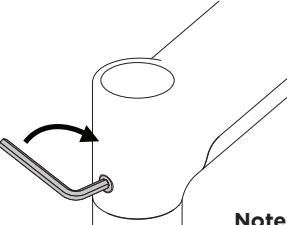
IMPORTANT INFORMATION

- ! Please ensure this product is installed as per these installation instructions.
- ! This product is compatible with Atdec AWM Series products.
- ! The Dynamic Arm (AWM-AD) requires a Post Clamp (AWM-LC, sold separately) for installation on an AWM Post.
- ! The Dynamic Arm (AWM-AD) requires a Desk Base (AWM-LB, sold separately) for installation directly onto an AWM fixing.
- ! The manufacturer accepts no responsibility for incorrect installation.

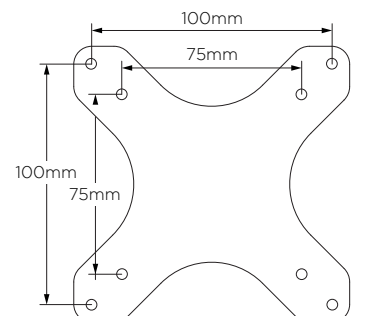
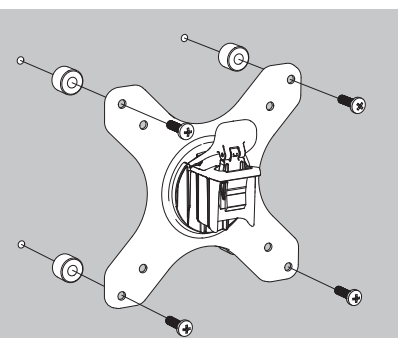
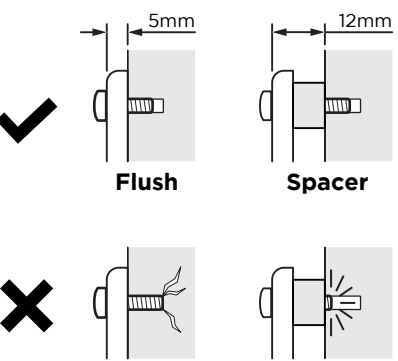
1. Set arm rotation to 180° (optional)

<p>1.1 On the Base or Post Clamp (sold separately) Remove plastic sleeve.</p> 	<p>1.2 Remove rotation ring.</p> <p>2. Lift</p> <p>1. Press</p> 	<p>1.3 Place rotation ring in the desired position.</p> 	<p>Post Clamp Ring Position</p> <p>When setting post clamp rotation, orientate the ring depending on what post channel the arm will be attached to. The tag on the ring should always face towards the user.</p> 
--	--	--	---

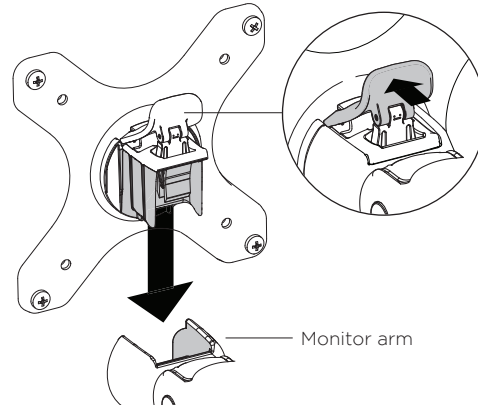
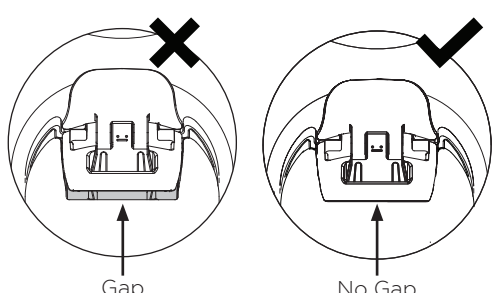
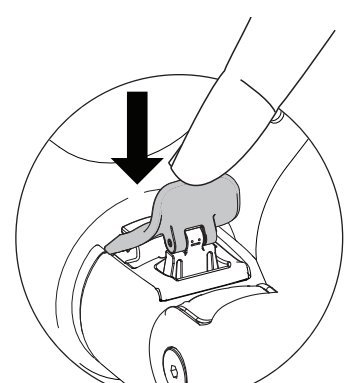
2. Fit arm onto Base or Post Clamp (sold separately)

<p>2.1 Push arm onto shaft.</p> 	<p>2.2 Ensure arm is fully pushed onto shaft.</p> 	<p>2.3 Tighten joint screw.</p>  <p>Note: Check the arm rotation is smooth after tightening.</p>
--	---	---

3. Attach VESA head to monitor

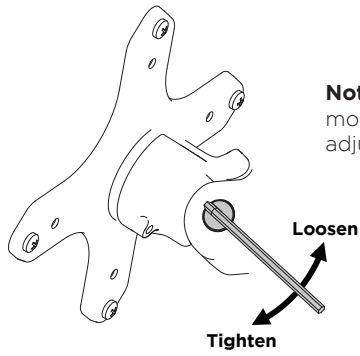
<p>3.1 VESA mounting compatibility</p>  <p>Note: For other sizes, use a suitable adaptor plate (sold separately).</p>	<p>3.2 Attach VESA head onto monitor with provided screws.</p>  <p>Note: Spacers may be required for curved, recessed or uneven monitor surfaces.</p>	<p>3.3 Be sure to use correct screw length</p>  <p>Flush Spacer</p> <p>Too long Too short</p>
---	--	---

4. Mount monitor on arm

<p>4.1 Insert VESA head into the monitor arm</p>  <p>Monitor arm</p>	<p>4.2 Ensure that the VESA head sits flush within the monitor arm. There should be no gap.</p>  <p>Gap No Gap</p>	<p>4.3 Push the lever down to secure it to the arm assembly</p> 
---	---	--

5. Adjust tilt tension & install security screw

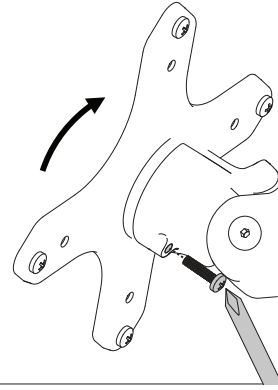
5.1 Use the allen key to adjust the tilt tension until the monitor holds in a vertical position at the end of the arm.



Note: Support monitor while adjusting.

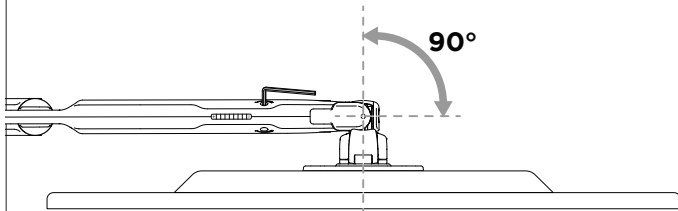
5.2 OPTIONAL security screw

Tilt the head upwards to install the optional security screw.

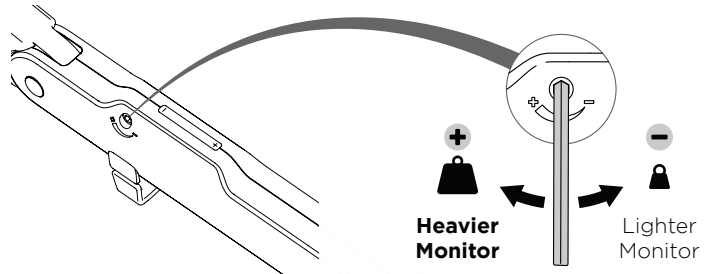


6. Adjust arm tension

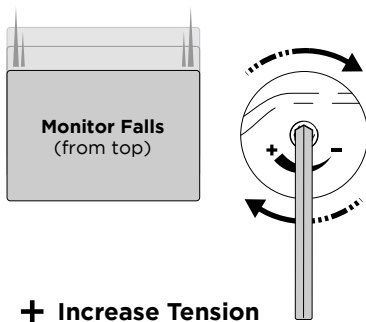
6.1 To accurately set the tension of the arm, position the monitor at 90 degrees



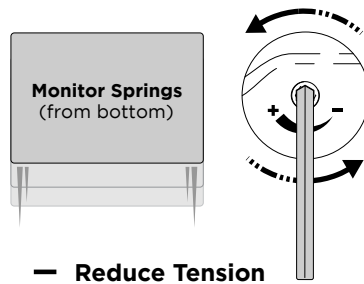
6.2 Use the allen key to adjust the arm tension to the weight of the monitor. Follow steps **6.3** to **6.5** to set the tension.



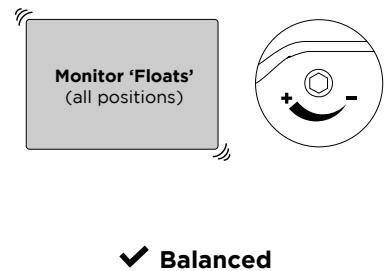
6.3 If the monitor sags or falls down, increase the arm tension by rotating the screw clockwise.



6.4 If the monitor springs upwards from the bottom position, decrease the arm tension by rotating the screw anti-clockwise.

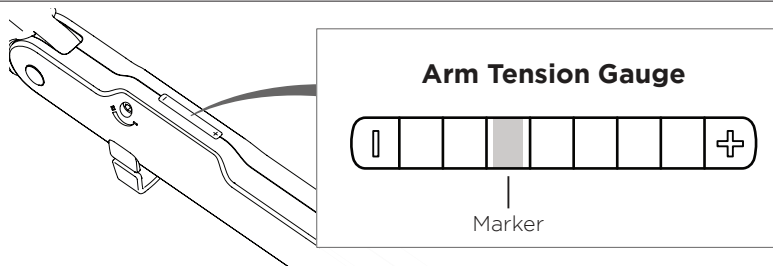


6.5 If the monitor floats or hovers in all positions the arm tension is balanced and does not require further adjustment.



7. Tension gauge

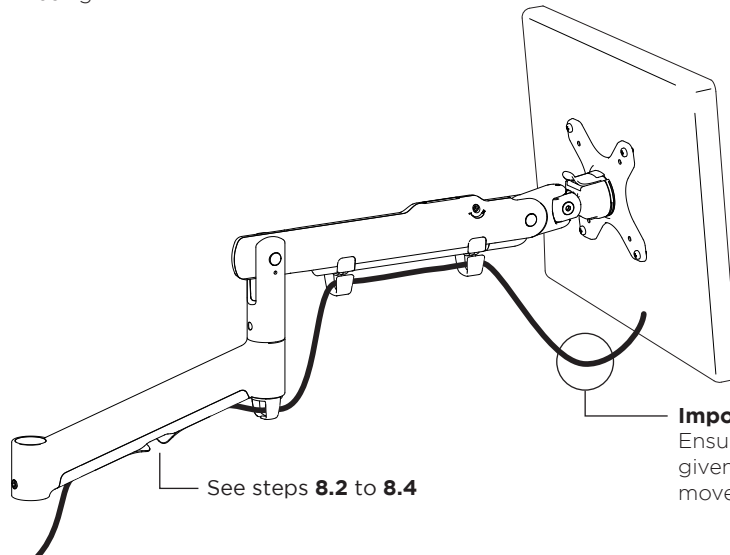
7.1 When installing multiple monitors of a similar weight, use the tension gauge to make installation faster.



1. Set up one monitor and record the position of the marker on the gauge.
2. When installing subsequent monitors, pre-tension the arm to the recorded amount, then fine-tune the tension by following steps **6.3** to **6.5**.

8. Cable management

8.1 Plug cables into the monitor and route the cables down the arm using the cable hooks and clips.

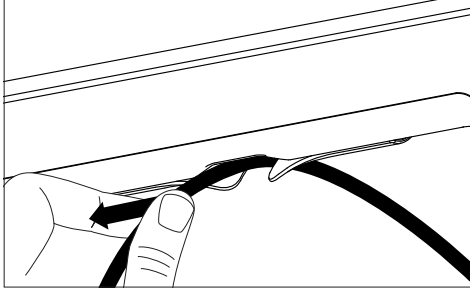


See steps **8.2** to **8.4**

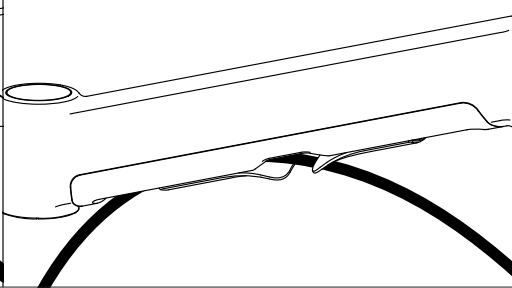
Important!

Ensure enough cable slack is given in this area to allow for movement of the monitor.

8.2 Wedge cable into the central gap and slide it down the arm.



8.3 The cable should slip into the arm cavity



8.4 Slide the remaining loose cable from the central gap up the arm.

